

ClotPro



+++ rapid monitoring of hemostasis +++ smart and efficient +++

COMPREHENSIVE MONITORING OF HEMOSTASIS

ClotPro supports the management of acute blood coagulation disorders to facilitate the selection of the most appropriate therapy and stop bleeding.



The benefits of viscoelastic coagulation monitoring have been described in many fields of surgery and intensive care: Cardiac and vascular surgery, organ transplantation, trauma, obstetrics, orthopaedic surgery and intensive care.

Guideline support for use of viscoelastic testing (examples):

The European guideline on management of major bleeding and coagulopathy following trauma: fourth edition. Crit Care. 2016;12:20:100.

From blood transfusion to patient blood management: a new paradigm for patient care and cost assessment of blood transfusion practice. Internal medicine journal, 2012. 42(3), 332-338.

ClotPro enables the detection and assessment of factor deficiencies, low fibrinogen, platelet contribution (to whole blood coagulation), heparin and DOAC effects, fibrinolysis and antifibrinolytic drugs.



American Society of Anesthesiologists Task Force on Perioperative Blood Management. Practice guidelines for perioperative blood management. Anesthesiology. 2015;122(2):241-75

Management of severe perioperative bleeding: guidelines from the European Society of Anaesthesiology: First update 2016. European Journal of Anaesthesiology (EJA) 34.6 (2017): 332-395.

+++ targeted management of coagulopathy +++

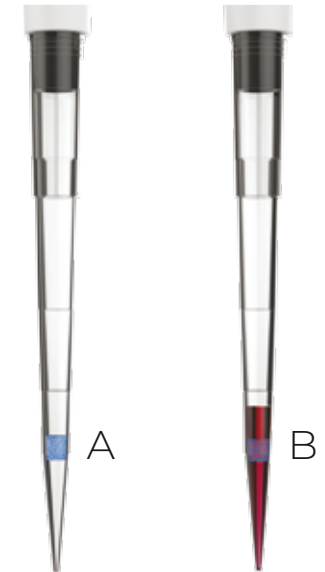
CUTTING-EDGE ASSAYS AND DRY CHEMISTRY TECHNOLOGY



ACTIVE-TIP TECHNOLOGY:
The pipette-tip contains test specific dry reagents.

All reagent handling is eliminated.

EX-test	Rapid overview of the coagulation process
FIB-test	Detection of functional fibrinogen under dual platelet inhibition
AP-test	Inhibition of fibrinolysis facilitating the detection of hyperfibrinolytic activity (in combination with EX-test)
IN-test	Intrinsic screening test, sensitive to heparin and coagulation factors e.g. FVIII
HI-test	IN-test with heparin neutralisation to ascertain residual coagulation activity
TPA-test	Activation of fibrinolysis for the detection of antifibrinolytic therapies
RVV-test	Screening test for DOACs (e.g. rivaroxaban)
ECA-test	Screening specific for direct thrombin antagonists



The reagents for each assay are present in dry form in a sponge in the pipette tip (A). During pipetting of the patient sample the reagent is automatically added to the blood (B) – simple and safe.

Liquid reagent handling for viscoelastometry requires pipetting of small reagent volumes, which is challenging in acute situations. The ClotPro® active-tip technology eliminates all reagent handling without requiring to run fixed 4 channel test panels.

The diagnostic proficiency of viscoelastometry has been significantly enhanced by the development of three innovative assays designed to reflect advances in therapeutics.

The **RVV-test** uses a direct activation of FXa with a high sensitivity to direct oral anticoagulants and other thrombin antagonists.

The **ECA-test** uses a direct activation of thrombin, with a high sensitivity and specificity for thrombin antagonists. This allows for the efficient detection and differentiation of antagonists to FXa and thrombin.

The **TPA-test** uses an activation by recombinant tissue factor and a standardised stimulation of fibrinolysis with recombinant t-PA.

+++ no reagent handling +++ easy to use and flexible +++

A USER FRIENDLY 6 CHANNEL INSTRUMENT



Touch screen, barcode scanner, keyboard and mouse provide options for user input

Expression of results using the established thrombelastometry parameters

6 independent channels for increased throughput and flexibility

CT, CFT, MCF, ML, A5, A10

Compact and easy to use

Coagulopathies occur in different clinical settings, and require a personalised diagnostic workup.

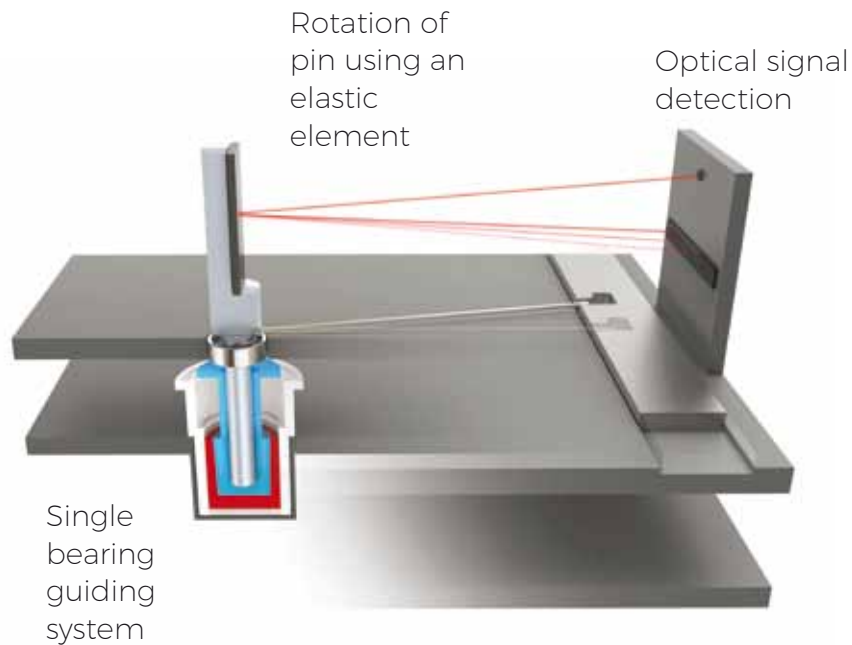
Systems locked in to 4 tests can incur wastage and miss crucial information.

ClotPro allows analysis of up to 6 assays simultaneously in any test combination. Tests can be repeated after therapeutic interventions as required and the diagnostic workup can be developed step by step. Efficient and easy to use.

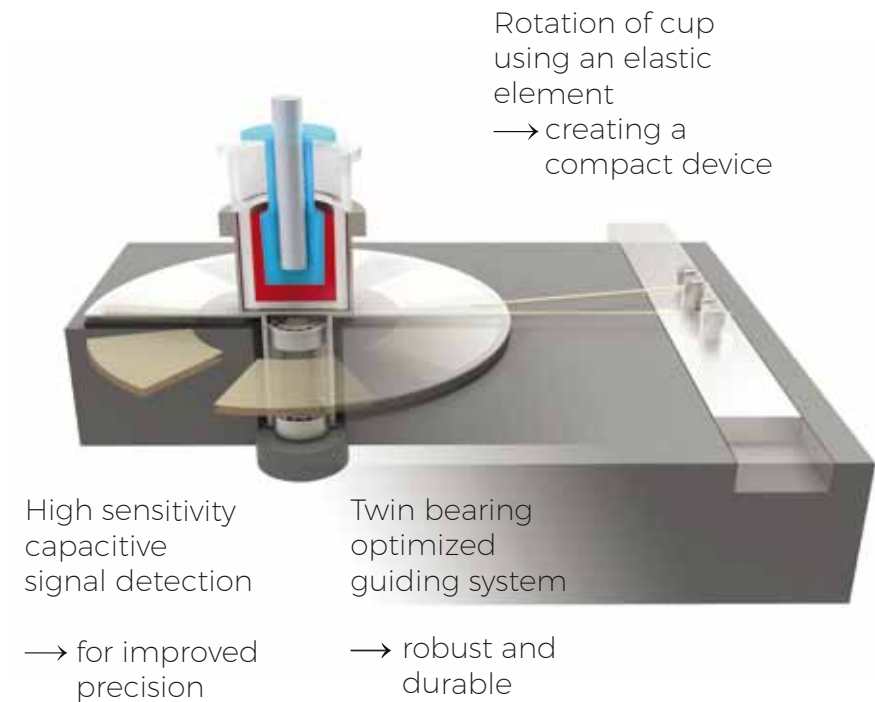
+++ compact 6 channel device +++ best in class throughput and flexibility +++

NEW GENERATION VISCOELASTOMETRY

Conventional viscoelastometry:



ClotPro® principle:



ClotPro uses Elastic Motion Thrombelastography, an improved new generation viscoelastometry technique. It uses the established cup and pin methodology.

In both systems the cup and pin surfaces experience a relative movement, driven by an elastic element. In the ClotPro analyzer the Cup is rotated and the Pin is stationary to facilitate a compact and easy-to-use instrument design.

Excellent precision and robust detection within the ClotPro system is facilitated by innovative design such as twin bearing guidance and novel cup rotation.

+++ high sensitivity +++ robust and durable +++

THE SMART CHOICE FOR VISCOELASTIC TESTING



Clotpro is powerful

- Most comprehensive options for the differentiation of whole blood coagulation
- Excellent correlation with conventional viscoelastometry

ClotPro is efficient

- Perform (and pay) only the assays you require
- Parallel testing of multiple samples
- Best in class throughput (6 channels)
- Very fast (< 3 min for first results (CT))

ClotPro is user-friendly

- Active tip technology eliminates the need for reagent handling
- Intuitive user interface
- LIS / HIS connectivity
- Remote viewing of test results
- Transfer of test results via email

Specifications	
Test channels	6
Tests	EX-test, IN-test, FIB-test, AP-test, HI-test, RVV-test, ECA-test, TPA-test, NA-test
Dimensions (instrument)	48cm x 20cm x 8cm (WxDxH)
Sample volume	340 µl citrated blood per test



enicor GmbH
Reichenbach Str 27
80469 Munich
Germany

info@clot.pro

www.clot.pro

© 2020 enicor GmbH. All rights reserved.

All trademarks mentioned enjoy legal protection. REV002_EN - 2020-01

+++ powerful +++ efficient +++ user-friendly +++